



AdaptaBeacon® Explosionproof Rotating Lights

Marine Rated

116EXMRIN Series

FEATURES

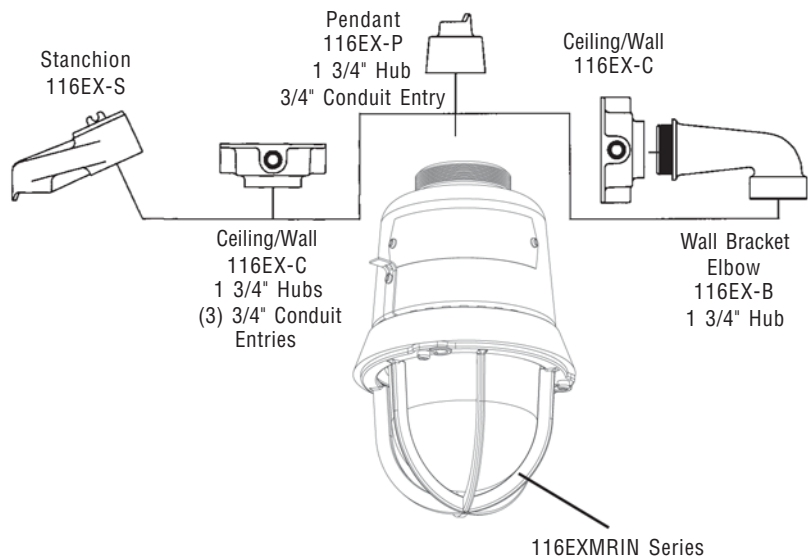
- > Bracket, ceiling, pendant or stanchion mount
- > High impact glass dome, dome guard included
- > 40W halogen bulb or 25W incandescent bulb
- > 75 rotations per minute
- > Factory sealed - no external seals required
- > Quick connect - threads onto mounting module for easy installation
- > Shock absorbing receptacle
- > Easy to assemble & relamp
- > Gaskets seal out dirt & moisture
- > Epoxy powder coat for corrosion resistance

Edwards Explosionproof AdaptaBeacon Rotating Lights are designed for installation in hazardous location environments. Rigid specifications and state-of-the-art technology provide for high visual output and low maintenance.

The units are UL Listed for Type 3R, Type 4X and marine installations. Models are available for pendant, wall, ceiling and stanchion mounting.

Typical industrial and commercial applications include: food processing plants, refineries, mines, tankers, laboratories, sewage treatment plants, off shore oil rigs, water and filtration plants, and chemical plants.

FAMILY TREE

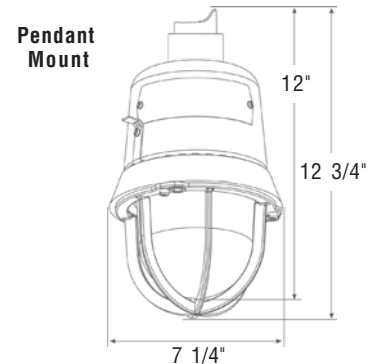
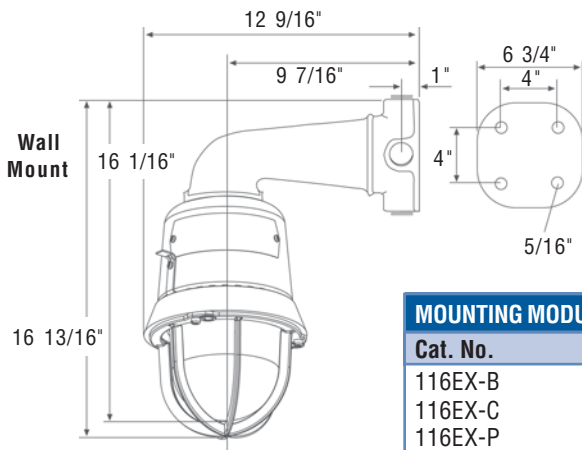
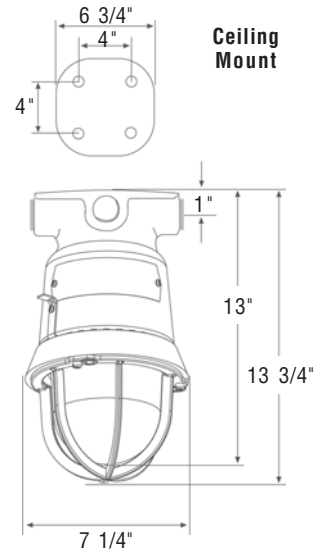
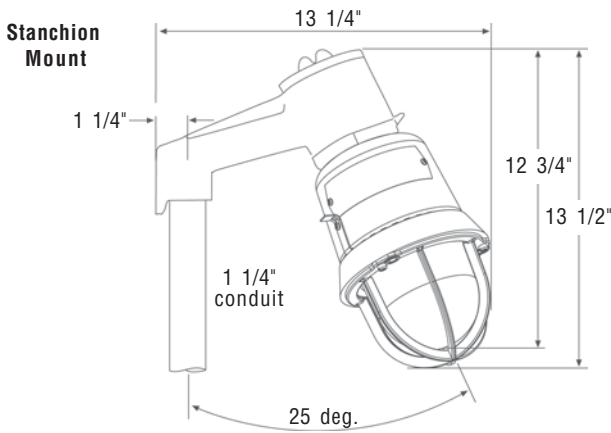


AGENCY APPROVALS

- > UL 1638 and 1203 Listed
- > cUL Listed C22.2 No. 205
- > NEMA Type 3R & Type 4X Rated
- > Marine UL 595 Category UXUB
- > Marine UL 1598A Listed
- > UL Listed Class I, Div. 1 & 2



TECHNICAL INFORMATION



MOUNTING MODULES

Cat. No.	Description
116EX-B	Wall bracket mounting elbow
116EX-C	Ceiling/wall mounting module
116EX-P	Pendant mounting module
116EX-S	Stanchion mounting module

Cat. No.	Electrical Rating	Replacement Rotator Assy	Replacement Inner Lens*	Replacement Dome	Optional Dome Guard	Replacement Bulb	Peak Candela
116EXMRINHR-N5	120V 50/60 Hz 0.42 Amp	116RINH-N5-SA	116-RIN-LR	116-Globe	116-GRD	50LMP-40WH 25,000 hrs. **	3,328
116EXMRINHA-N5			116-RIN-LA				
116EXMRINHB-N5			116-RIN-LB				
116EXMRINHG-N5			116-RIN-LG				
116EXMRINHM-N5			116-RIN-LM				
116EXMRINHC-N5			116-RIN-LC				

*A - Amber, B - Blue, C - Clear, G - Green, M - Magenta, R - Red
 ** Projected life based on manufacturer's calculated lamp life.

HAZARDOUS LOCATION LISTINGS

Ambient Temp.	Supply Wire Temp. Marking	Operating Temperature			
		Class I, Div. 2 Groups A, B	Class I, Div. 1 & 2 Groups C, D	Class II & III, Div. 1 Groups E, F, G	Class II & III, Div. 2 Group G
40°C	75°C	T1 (450°C)	T6 (85°C)	T4A (120°C)	T4A (120°C)
55°C	90°C	T1 (450°C)	T5 (100°C)	T4 (135°C)	T4 (135°C)
65°C	105°C	T1 (450°C)	T5 (100°C)	T4 (135°C)	T4 (135°C)